

**322, 322B**  
**HIGH BAY MULTISENSOR**

Automatically control lighting loads at heights that are too high for general sensors

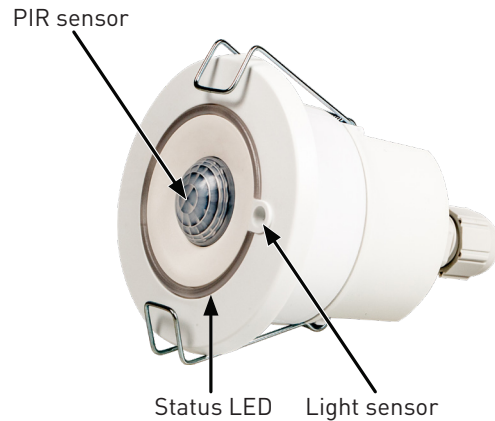
The High Bay Multisensor is a compact unit that provides energy-saving functions in DALI applications where mounting heights are too high for standard sensors, such as warehouses and factories.

Sealed with a gasket that protects it from dust and water, this IP65 sensor is designed to be recessed in a ceiling void or in a luminaire construction.

Since its detection sensitivity is less dependent on movement direction than that of most PIR sensors, fewer units are required to reliably cover a target area.

The unit features:

- A passive infrared detector (PIR), which detects movement within its coverage area, allowing load control in response to changes in space occupancy. It switches the lights on when its coverage area is occupied, and off when it is unoccupied
- A light sensor, which provides a bright-out function: it can be programmed in Designer to switch off the lights when the natural light rises above a predefined illuminance threshold.



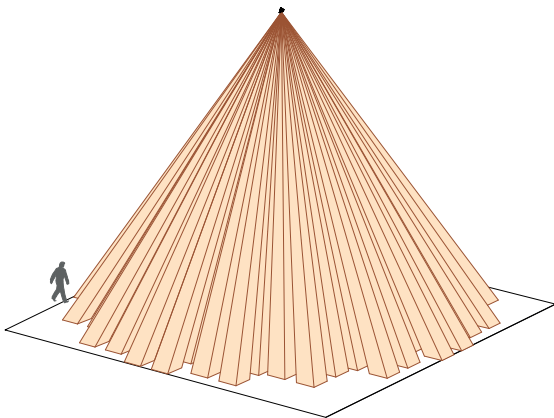
The High Bay Multisensor is compatible with Helvar's lighting systems and configuration software, Designer and Toolbox.

**Key Features**

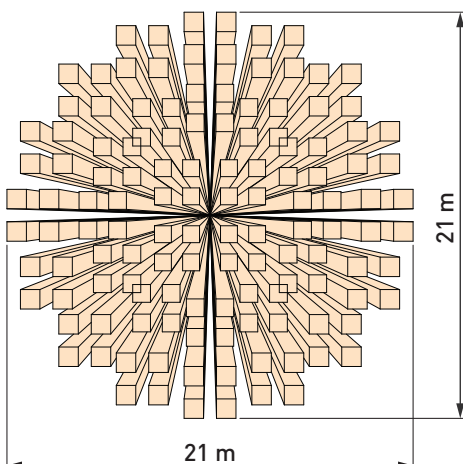
- Excellent detection performance through high sensitivity and multidirectional coverage
- Suitable for applications with very high ceilings
- Protected against dust and water (IP65)
- Programmable bright-out control for energy efficiency\*
- Simple connection and integration into a Helvar DALI control network.
- Programmable in Designer and Toolbox

\* *Bright-out function is available only on a lighting router system.*

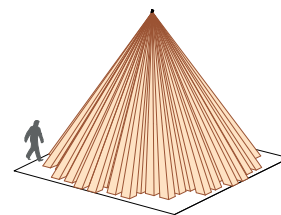
**Presence Detection Coverage at 15 m Height**



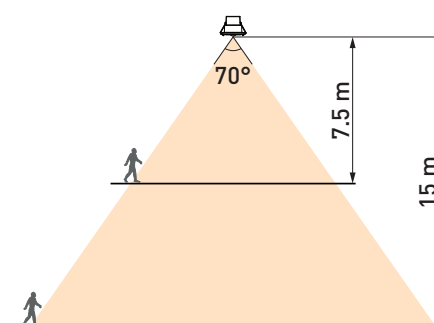
Detection pattern at floor level for 15 m mounting height



**Presence Detection Coverage at 7.5 m Height**



Detection pattern at floor level for 7.5 m mounting height



## Technical Data

### Connections

**DALI:** Removable connector block  
**Cable jacket diameter:** 4.5 mm – 7 mm  
**Wire section:** 0.5 mm<sup>2</sup> – 1.5 mm<sup>2</sup> solid or stranded  
**Cable rating:** All cables must be mains rated.

### Power

**DALI supply input:** 13 V – 22.5 V  
**DALI consumption:** 10 mA

### Sensors

**Light sensor:** For bright-out function  
**Presence detector:** Passive infrared (PIR)

### Mechanical data

**Max. recommended mounting height:** 17 m  
**Presence detection coverage area:** 346 m<sup>2</sup> @ 15 m mounting height  
 87 m<sup>2</sup> @ 7 m mounting height  
**Mounting hole diameter:** 52 mm – 55 mm  
**Bezel diameter:** 66 mm  
**Recommended clearance depth:** 12 cm (with cable cover, incl. 5 cm for cabling)  
**Material (casing):** Nonflammable PC/ABS (UL94-V0)  
**Finish / Colour:** Semi-matt / White RAL 9003

Semi-matt / Anthracite grey RAL 7016

**Weight:** 70 g  
**IP code:** IP65

### Operating and storage conditions

**Ambient temperature:** 0 °C to +50 °C  
**Relative humidity:** Max. 90 %, noncondensing  
**Storage temperature:** -10 °C to +70 °C

### Conformity and standards

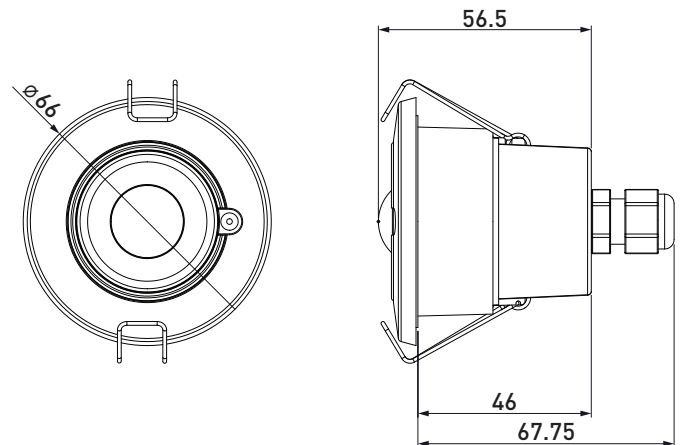
**EMC emission:** EN 55015  
**EMC immunity:** EN 61547  
**Safety:** EN 61347-2-11

**Environment:** Complies with WEEE and RoHS directives.

### Software compatibility

**Designer:** 5.4.2 or later  
**Toolbox:** 2.5.0 or later

## Dimensions (mm)



## Connections

