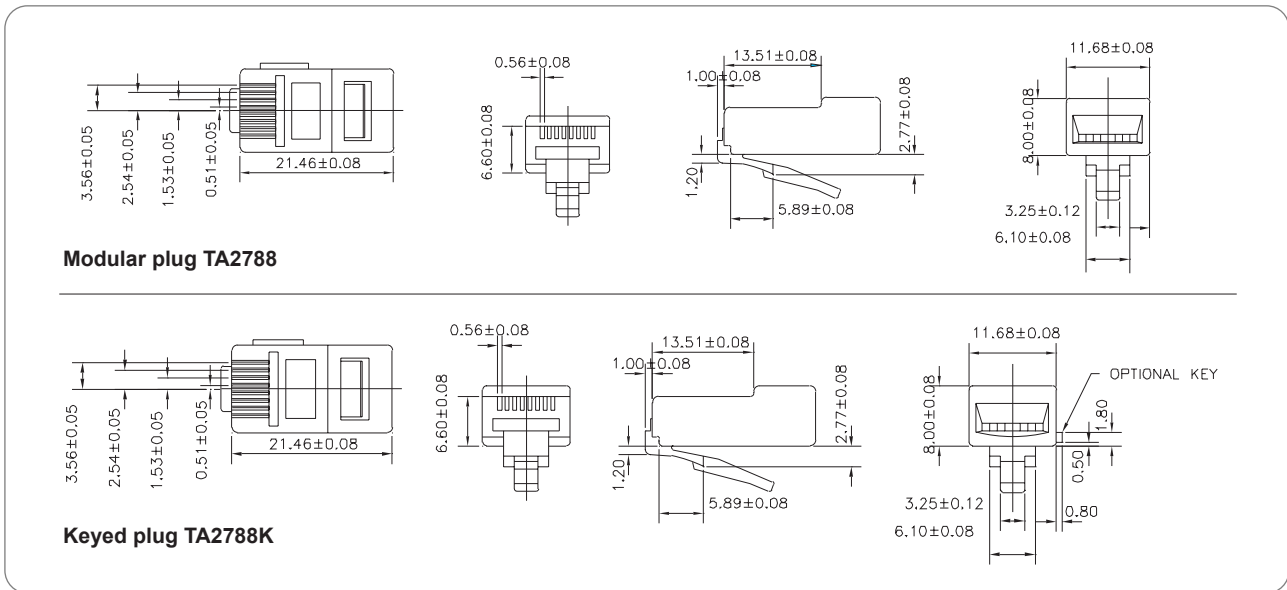


TA2788 8P8C Modular Plug/TA2788K Keyed Plug



Specification:

1. Meet FCC Parts 68.
Meet IEC 60603-7.
Material and finish:
Housing: Polycarbonate (PC)
Contacts: Copper alloy selective gold over nickel plating
2. Mechanical:
Cable-to-Plug tensile strength: 20 lbs Min.
Durability: 500 cycles Min.
3. Electrical:
Rated Voltage, Current: 30V a.c. at 1.5 Amps
Contacts resistance: 10 milliohms Max.
Dielectric Strength: 1000V a.c. (RMS)
Insulation Resistance: 500 megohms Min.
4. Operating Temperature: -20°C to 80°C



Ordering Information:

TA27	XX	X	-	X	X	XX
Modular plug	64 : 6P4C RJ11 66 : 6P6C RJ12 84 : 8P4C 88 : 8P8C RJ45 00 : 10P10C	K : Keyed D : DEC		A : For stranded wire B : For solid wire blade (2-Contact blade) C : For solid wire blade (3-Contact blade)	F : Flat cable R : Round cable S : Round cable for shielded Plug	06 : 6μ"/0.15μm 30 : 30μ"/0.76μm 50 : 50μ"/1.27μm